

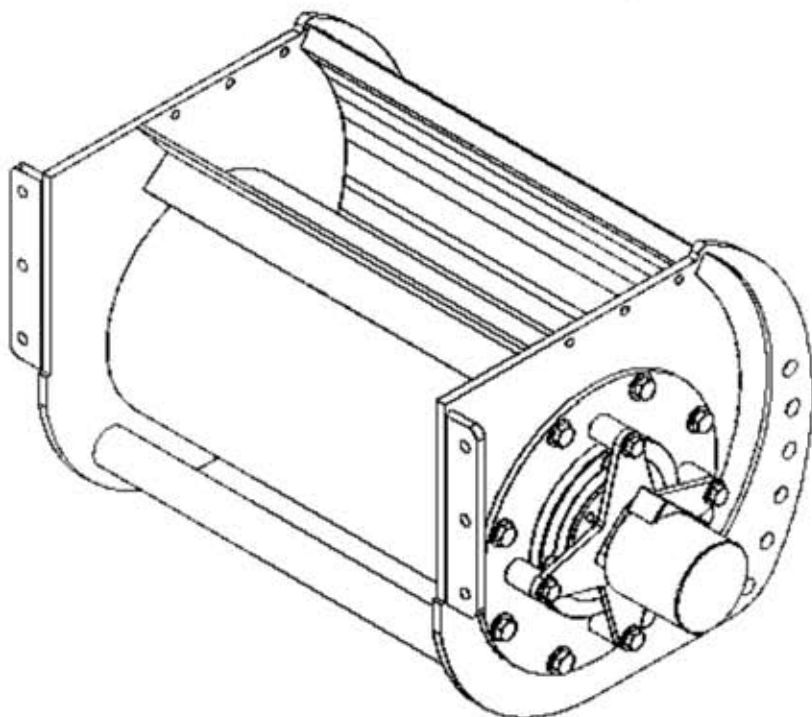
New Dimension Crushers

Introduces a New and Truly Revolutionary

Stone – Aggregate & Demolition Crusher

**NEW DIMENSION
CRUSHERS**

Model 2412

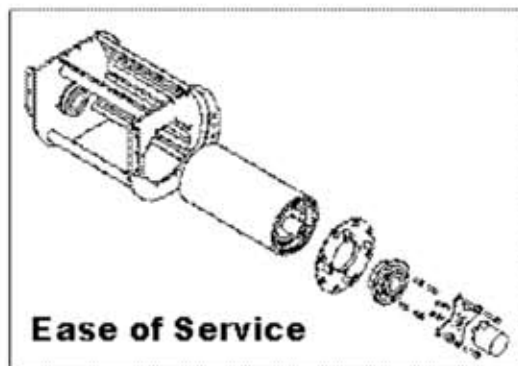


New Dimension Crushers proudly introduces a new and truly revolutionary design to the stone, aggregate and demolition crushing industry. Patent pending technology allows never before seen light weight, low horsepower, portability, elegance of simplicity, and ease of routine maintenance in rock crushing.

New Dimension Crushers now offers the Model 2412 with a quick-attach system for the skid-steer loaders and other similar applications. Please call and discuss your application with us. (Various feed/hopper designs are available)

Basic Machine Specifications:

Basic Weight – 906 lb (410 kg)
Chamber Width – 24 in (61 cm)
Roll Diameter – 12 in (30.5 cm)
Reduction Ratio – 5:1+
Drive – 20 hp (15 Kw)/15-18 gpm (57– 68 L/m)
Hyd. Pressure – 2000-3000 psi (388-241 bar)
Jaw Composition – Cast 4130 Steel
Roll Composition – 4140 Steel
Feed Material Compressive Strength – 30K psi
Width – 35 in (89 cm)
Length – 25.5 in (64.75 cm)
Height – 21 in (53 cm)



New Dimension Crushers, LLC

P.O. Box 98

White Pine, Michigan 49971 USA

www.newdimensioncrushers.com

Telephone: 906-885-5333